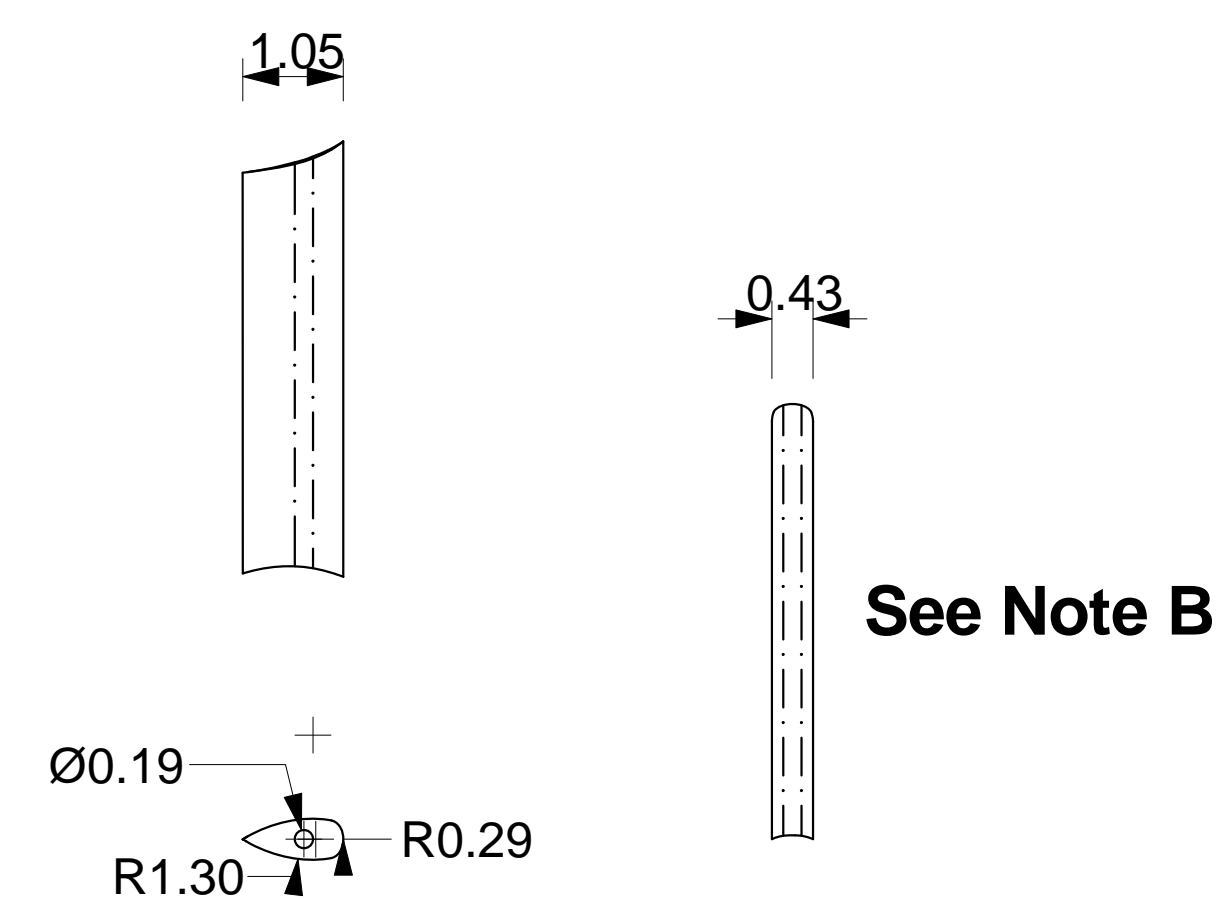


Concentric Attachment Ring Detail

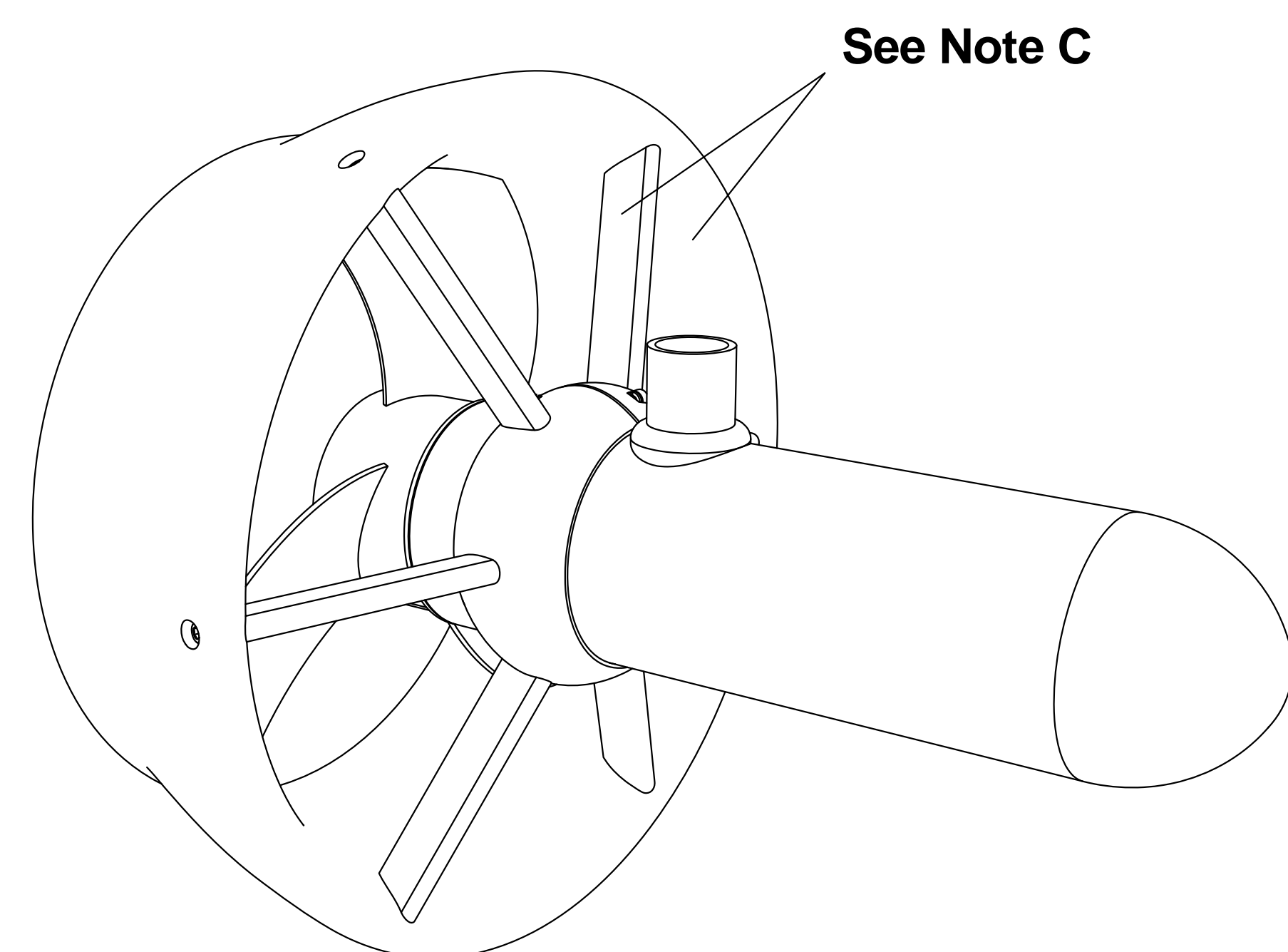
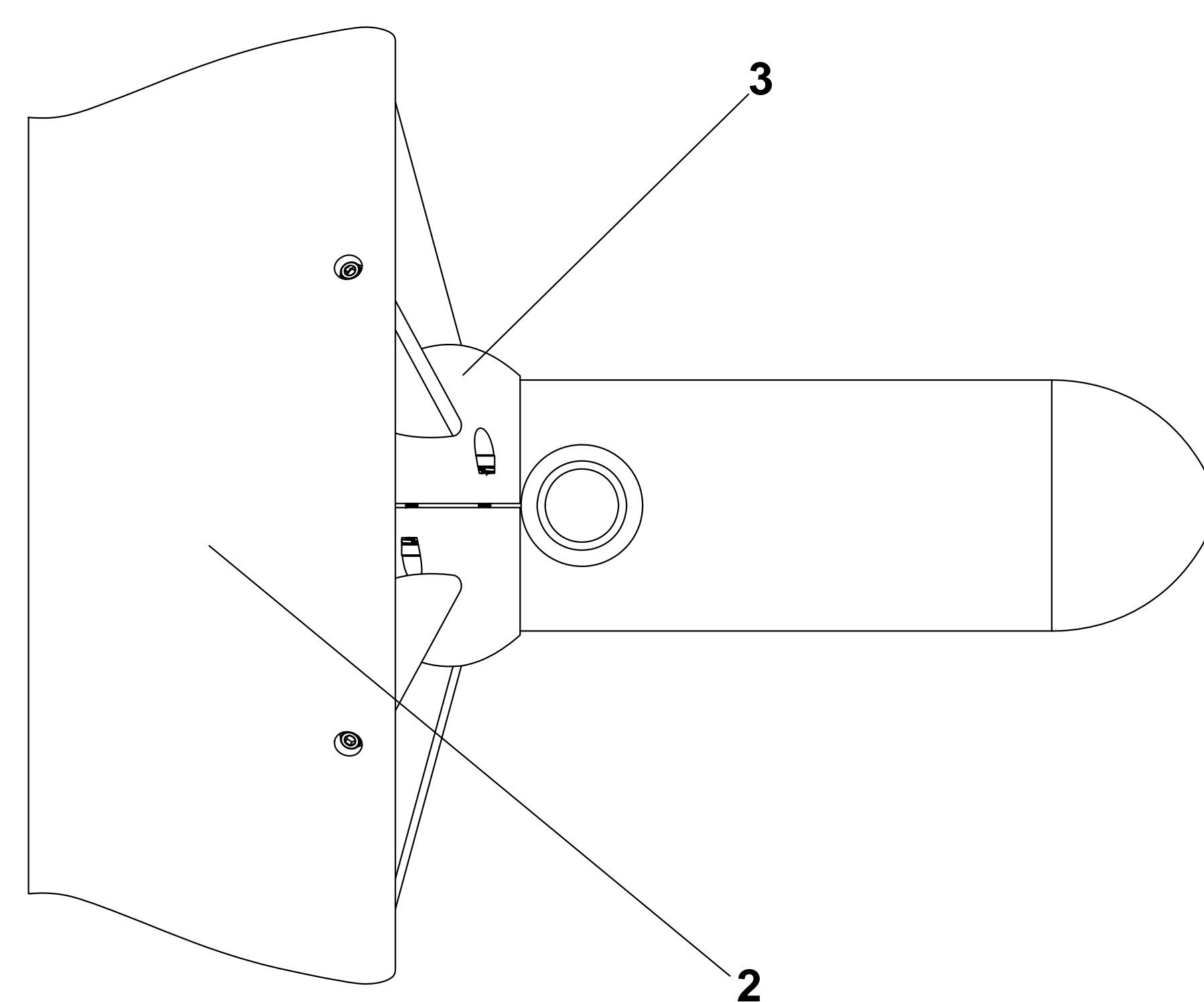


Nozzle Strut Detail

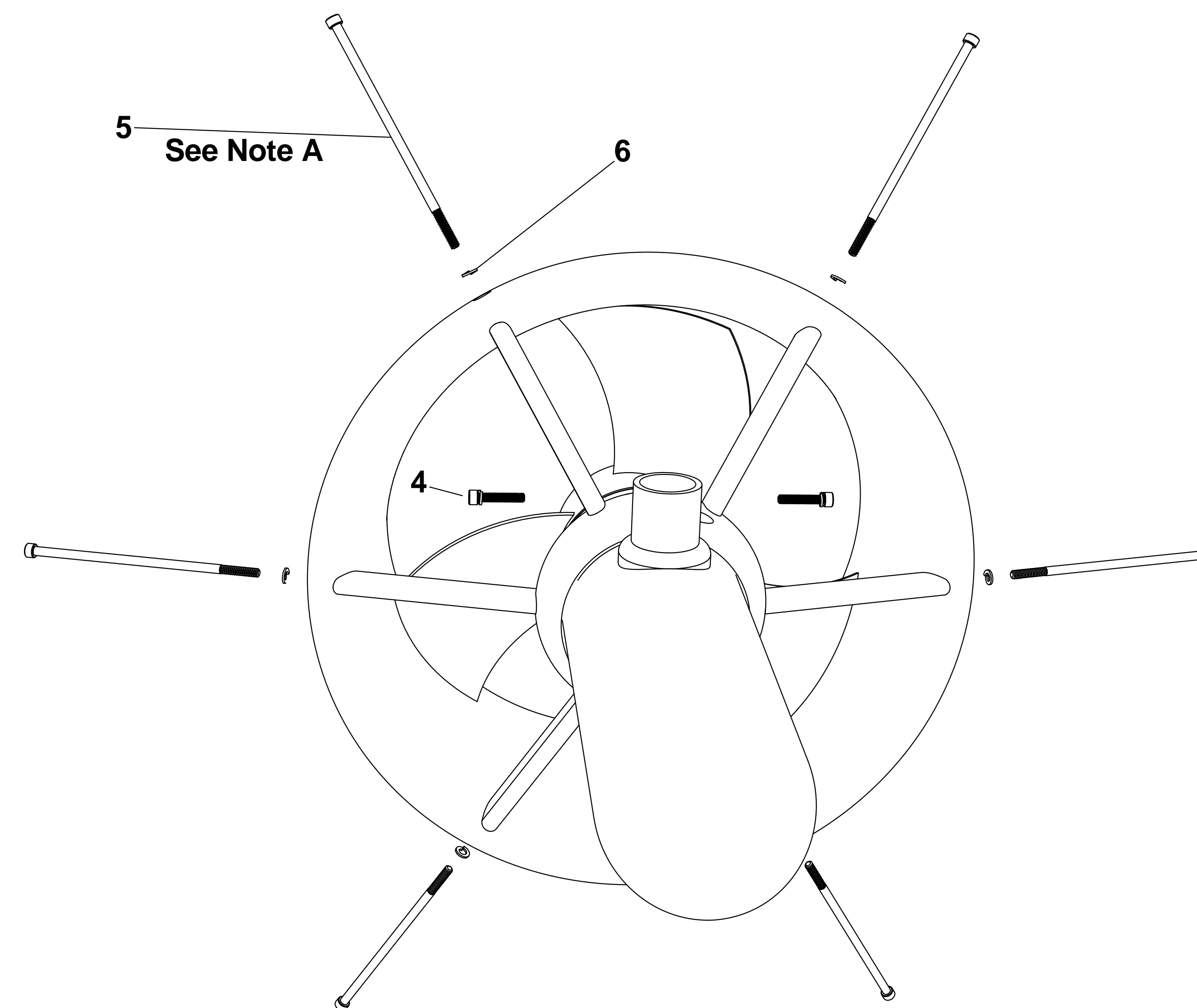
See Note B

Notes

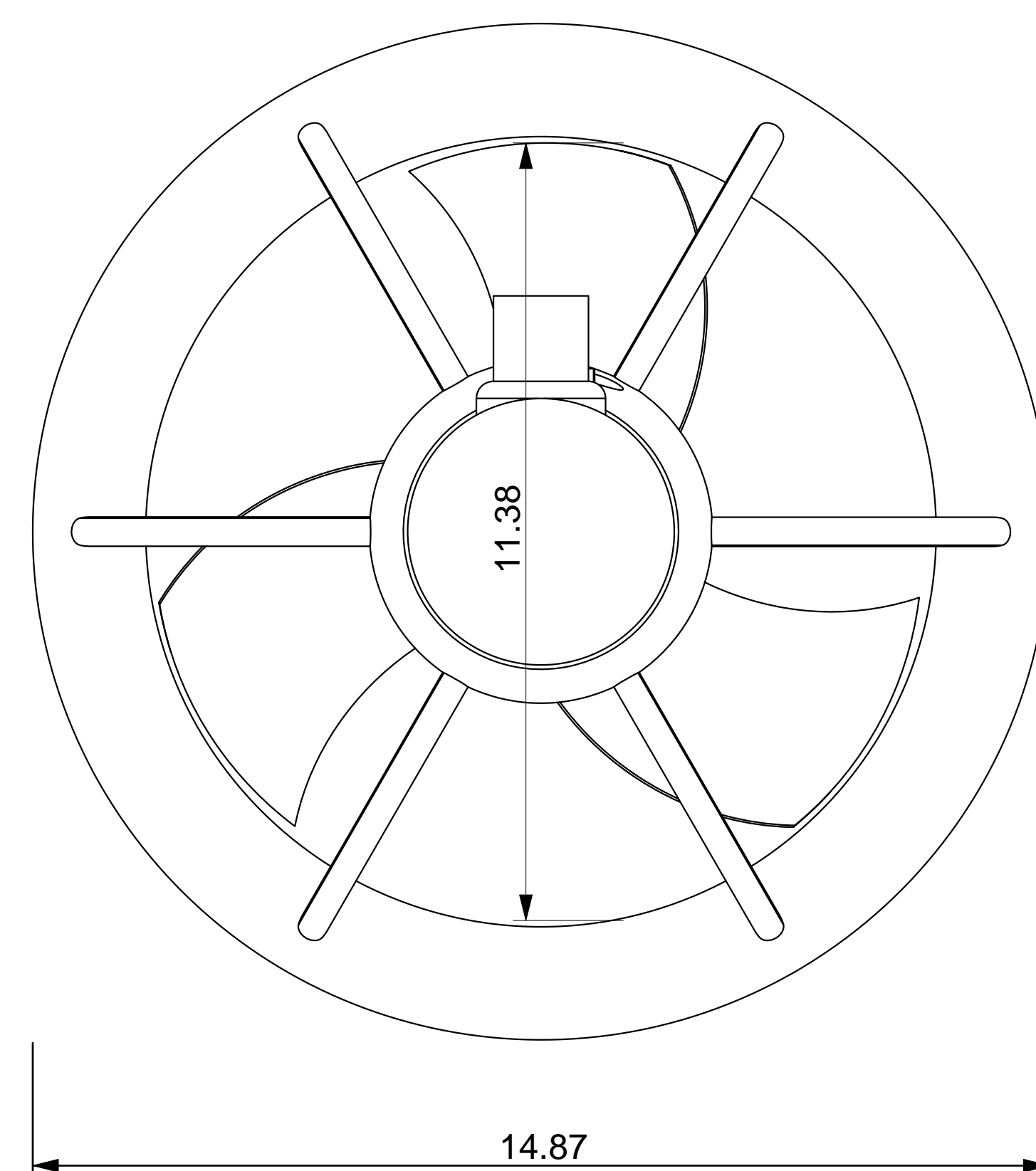
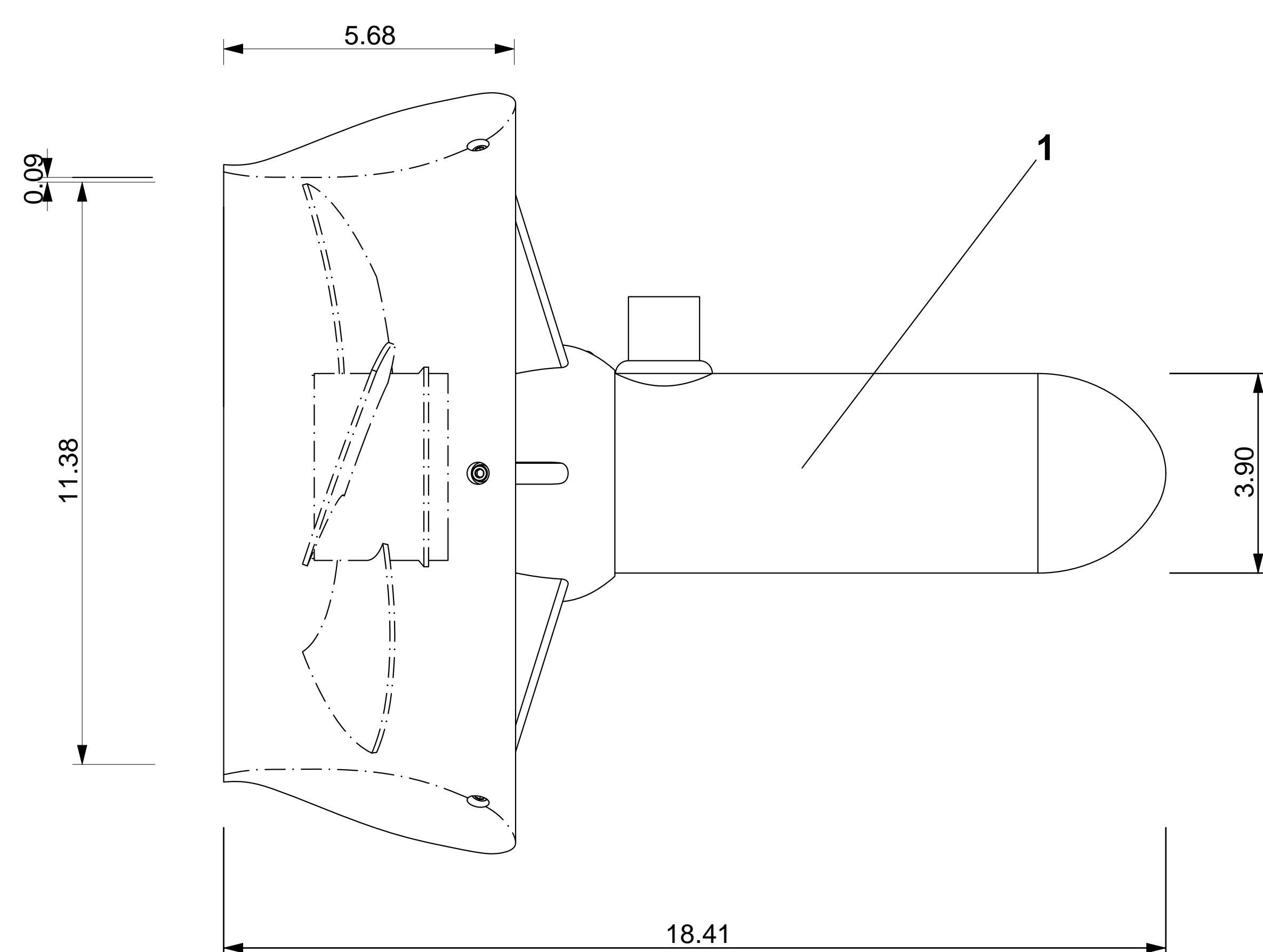
- (A) May substitute for suitable SS fasteners 5 1/4" LG #10-24 thread
- (B) End curvatures to match at hub and nozzle ends
- (C) Nozzle and strut best with CNC / 3d processes



See Note C



Exploded View Not to Scale



Bill of Materials

- 1. Minn Kota EM Series finless trolling motor
- 2. ABS Plastic Marin 19a Kort Nozzle
- 3. 316 SS Hub tapped to accept item 4
- 4. McMaster-Carr # 94912A345 (2)
- 5. McMaster-Carr # 94912A994 (6)
- 6. McMaster-Carr # 90073A011 (6)

MINN KOTA KORT NOZZLE ASSEMBLY	
Drawn	11/03/2013
Revised	11/05/2013
Scale	1:2
Drawn by	<i>JPM</i>